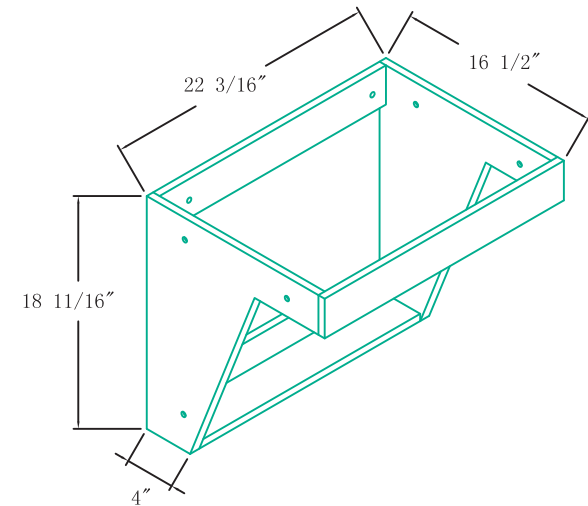
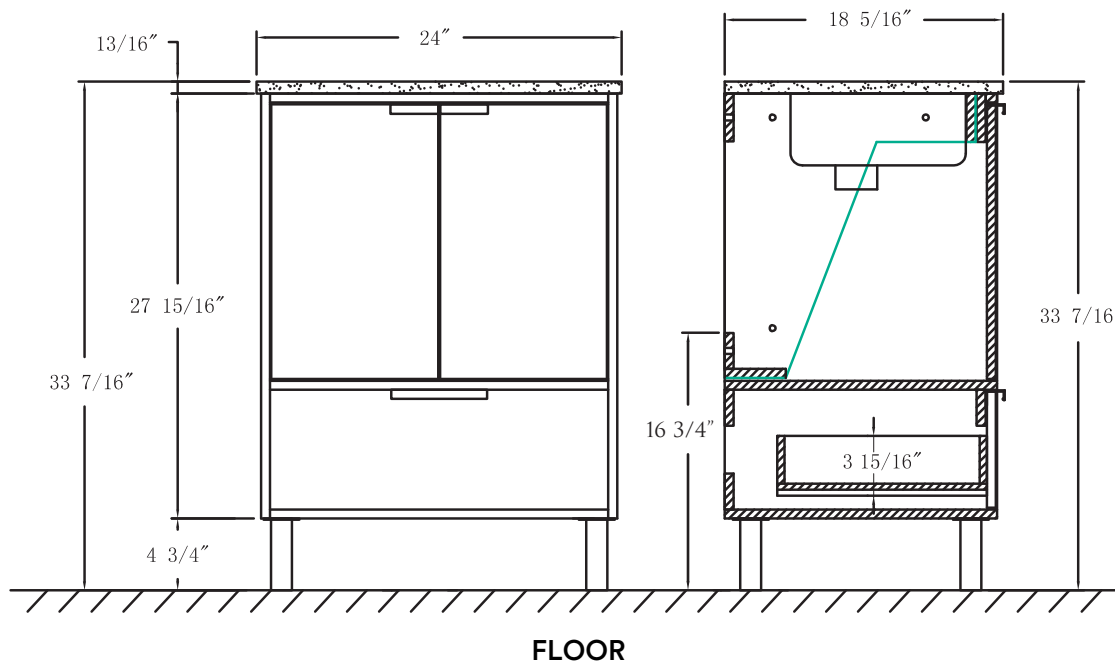


**DIMENSIONS/TECHNICAL DATA  
ITEM #HA24**

**HAMILTON COLLECTION  
VANITY**



**ATTENTION!** Dimensions may vary by up to 3/8". It is highly recommended to pull all dimensions of actual model for installation and measuring purposes.